



Emergency Brake Switch

Kiepe NBS 400

Description

The emergency brake switch of type series Kiepe NBS 400 is the modern successor of former type series Kiepe NBS 200. Handle and front of the housing are one part. If there is sufficient free space for pulling the handle, the Kiepe NBS 400 is compatible with the designs of the Kiepe NBS 200. When the emergency brake switch of the type series Kiepe NBS 400 is actuated via pulling of the handle, the non-influencable triggering of an energy store

follows when a pressure point has been overwon. Due to the energy store the actuation of the contacts and the interlocking are performed simultaneously. Unlocking is made with a socket spanner¹⁾. The pulled handle is returned by a spring in connection with the unlocking. Lead sealing is possible. The Kiepe NBS 400 has got an add-on casing and does not require a cutout in the mounting space if equipped with 2 change-over contacts. The height above installa-

tion surface amounts to approx. 45 mm. If not actuated the fixing screws are not accessible. An inscription²⁾ can be provided on the casing.

¹⁾ Not included in scope of supply

²⁾ To be specified when ordering

Technical data

Type	Kiepe NBS 400
Rated insulations-voltage	DC 110 V +25/-30%
Ambient temperature	-25 ... +70° C
Protection type ¹⁾	IP 40
Unlocking ²⁾	Square bolt / Triangular bolt
Contacts (Change-over contact, 3 terminals)	2
Thermal current	6 A
Rated switching capacity (24 V/110 V) ^{3) 4)}	6 A / 0,7 A
Connection	Faston plug 6.3 mm
Weight approx.	0.8 kg
Colour (red) ²⁾	RAL 3000 / RAL 3020
Operating force approx.	100 N (without lead sealing)
Actuating height approx.	15 mm

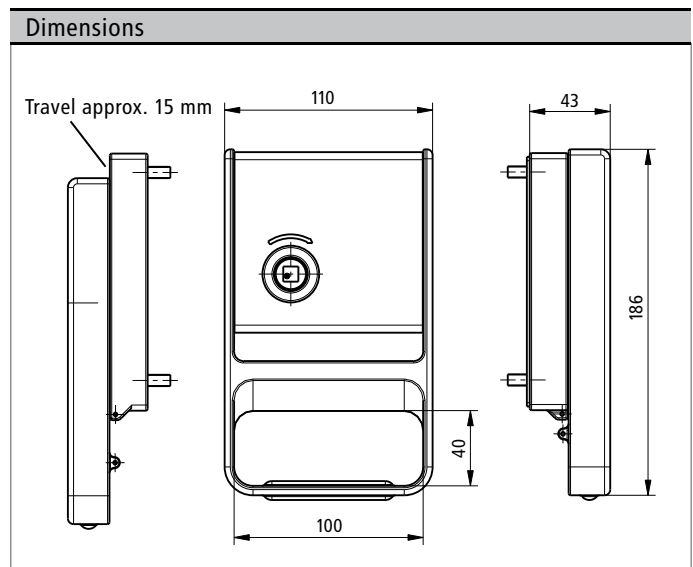
¹⁾ After installation and not operated

²⁾ To be specified when ordering

³⁾ DC 13

⁴⁾ Min. load 10 V / 30 mA for new switches

Subject to change without notice



For your project we recommend to take in consideration the advantageous standard component.

Standard-Part	Kiepe NBS 400
Order no.	91.059 857.004
Unlocking	Square bolt 8x8 mm
Protection type	IP 40 after installation/not operated
Colour (red)	RAL 3000
Inscription	without
Operating force approx.	100 N (without lead sealing)

Vossloh Kiepe GmbH
 Kiepe-Platz 1 · D-40599 Düsseldorf
 Telefon: +49(0)211/7497-0
 Telefax: +49(0)211/7497-300
 info@vkd.vossloh.com
 www.vossloh-kiepe.com